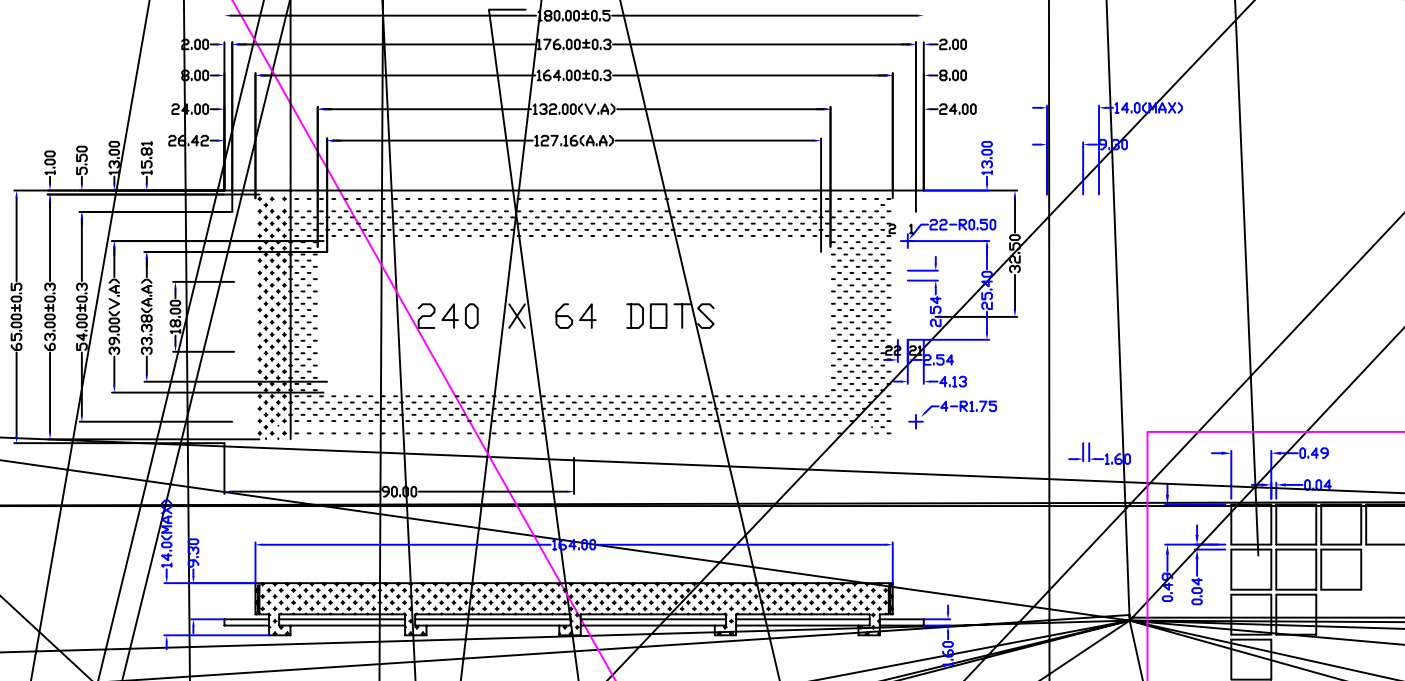
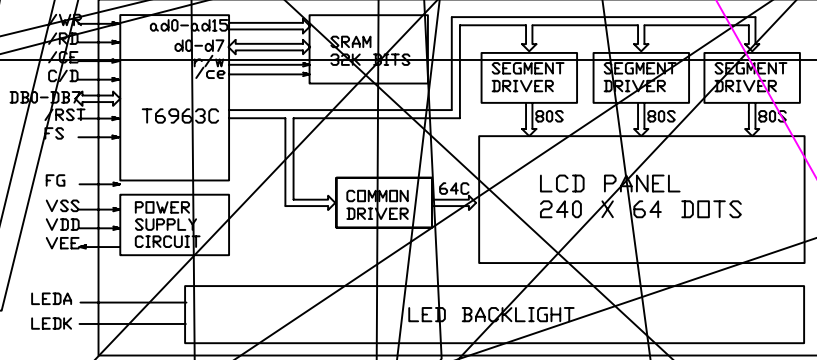


Outline Di 11

NO. BY DESCRIPTION
ZOLEN NEW RELEASE



Block Diagram



Feature

- 3. LCD TYPE: Y/G STN, TRANSFLECTIVE
- 4. DUTY CYCLE: 1/9 BIAS
- 7. VIEWING ANGLE: 6 O'CLOCK
- 8. TEMPERATURE RANGE: EXTENDED (-20--70)
- 9. LOW CONSUMPTION, LOW VOLTAGE, HIGH CONTRAST

ITEM	SPECIFICATION	UNIT
OVERALL SIZE	180.0W x 65.0H x 14.0T	MM
VIEWING AREA	132.0W x 39.0H	MM
DOT NUMBER	240 x 64	DOTS
DOT SIZE	0.49W x 0.49H	MM
DOT PITCH	0.53W x 0.53H	MM

Pin Assignment

NO.	SYMBOL	DESCRIPTION
1	FG	FRAME GROUND
2	VSS	GROUND
3	VDD	POWER SUPPLY FOR LOGIC AND LCD
4	V0	OPERATING VOLTAGE FOR LCD
5	/WR	DATA WRITE
6	/RD	DATA READ
7	/CE	63C
8	C/D	
10	/RST	RESET T6963C (LOW EFFECTIVE)
19	/FS	FONT SELECTION (L:8X8, H:6X8) NEGATIVE VOLTAGE INPUT/OUTPUT
22	K	LED BACKLIGHT POWER SUPPLY (+)(+5V) LED BACKLIGHT POWER SUPPLY (-)(0V)

Electrical Characteristics

