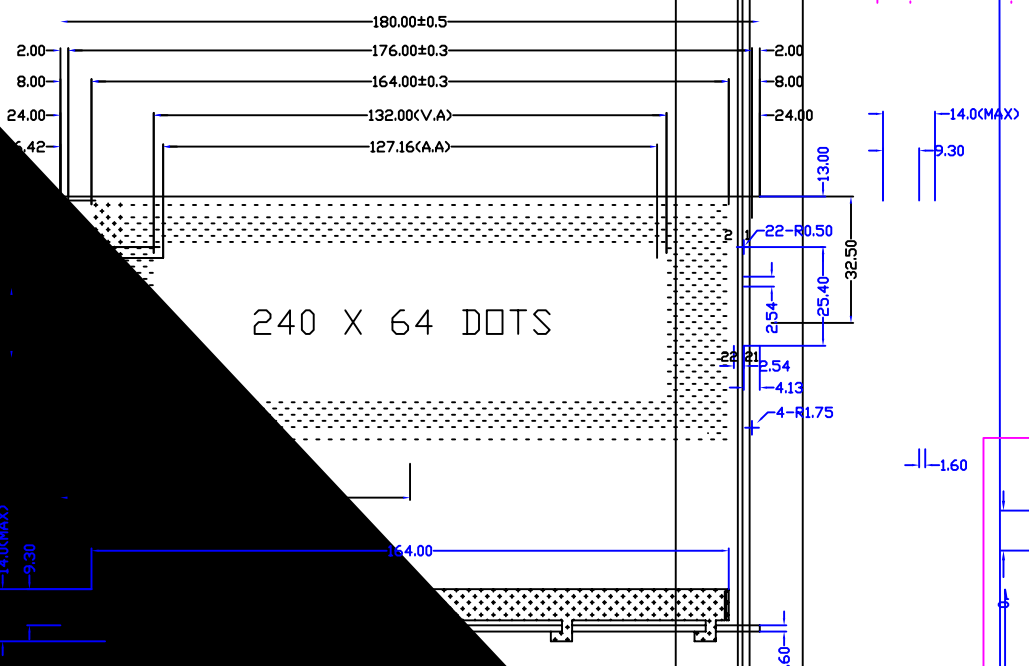


# Outline Diagram

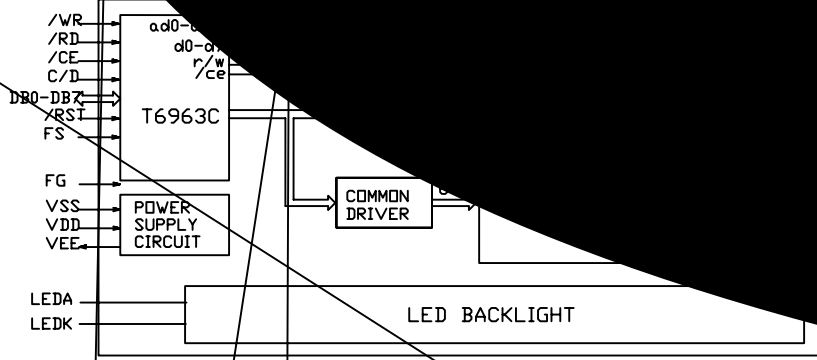
NO.	BY	DESCRIPTION
1	ZOLEN	NEW RELEASE



240 X 64 DOTS

## Feature

- 3. LCD TYPE: Y/G STN, TRANSLECTIVE
- 4. DUTY CYCLE: 1/9 BIAS
- 7. VIEWING ANGLE: 60° C/CLOCK
- 8. TEMPERATURE RANGE: EXTENDED (-20--70)
- 9. LOW CONSUMPTION, LOW VOLTAGE, HIGH CONTRAST



PARAMETER	UNIT
SIZE	145.00H x 14.0T
DOT SIZE	MM
DOT PITCH	MM
DOT PITCH	0.53MM

## Pin Assignment

NO.	SYMBOL	DESCRIPTION
1	FG	FRAME GROUND
2	VSS	GROUND
3	VDD	
4	V0	
5	/WR	DATA WRITE
6	/RD	DATA READ
7	/CE	
8	C/D	
10	/RST	RESET T6963C (LOW EFFECTIVE)
19	FS	FONT SELECTION (L:8X8, H:6X8)
21	K	LED BACKLIGHT POWER SUPPLY(+)(+5V)
22	K	LED BACKLIGHT POWER SUPPLY(-)(0V)

## Electrical Characteristics

POWER SUPPLY(LCD)

EXPERT IN LCD

