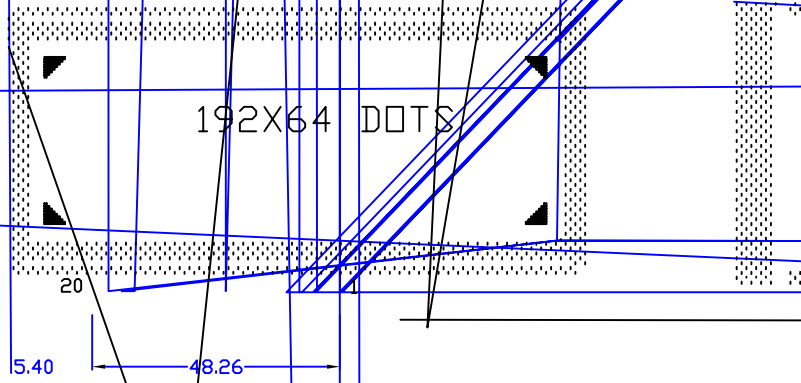


# Outline Dimension

NO.	DATE	BY	DESCRIPTION
1	09/05/12	ZOLEN	NEW RELEASE

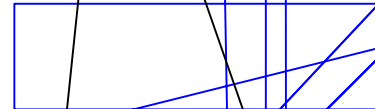


## Block Diagram

DB0-DB7  
RS  
R/W  
E  
/CS1

VSS  
VDD  
VEE

POWER SUPPLY CIRCUIT



LED BACKLIGHT

## Feature

1. BUILT IN CONTROLLER: KS0107B OR EQUIVALENT
2. POWER SUPPLY: 5.0V AND 3.0V AVAILABLE
3. LCD TYPE: Y/G STN
4. BACKLIGHT: BOTTOM LED BACKLIGHT
5. COLOUR OF BACKLIGHT: Y/G
6. 1/64 DUTY CYCLE, 1/9 BIAS
7. VIEWING ANGLE: 6 O'CLOCK
8. TEMPERATURE RANGE: NORMAL(0--50)EXTENDED
9. LOW CONSUMPTION, LOW VOLTAGE, HIGH CONTRAST

## Mechanical Data

ITEM	SPECIFICATION	UNIT
OVERALL SIZE	130.0W x 65.0H x 14.0T	MM
VIEWING AREA	104.0W x 39.0H	MM
DOT NUMBER	192 x 64	DOTS
DOT SIZE	0.46W x 0.46H	MM
DOT PITCH	0.51W x 0.51H	MM

## Pin Assignment

NO.	SYSTEM	DESCRIPTION
1	VSS	GROUND
2	VDD	POWER SUPPLY FOR LOGIC AND LCD
3	V0	OPERATING VOLTAGE FOR LCD
4	D/I	DATA/INSTRUCTION SELECT
5	R/W	READ/WRITE SELECT
6	E	ENABLE/SELECT
7--14	DB0-DB7	DATA BUS
15	/CS1	IC1 SELECT OF IC1(LOW EFFECTIVE)
16	/RST	RESET SIGNAL(LOW EFFECTIVE)
17	/CS2	IC2 SELECT OF IC2(LOW EFFECTIVE)
18	/CS3	IC3 SELECT OF IC3(LOW EFFECTIVE)
19	VEE	VEE VOLTAGE INPUT/OUTPUT
20	A	LED BACKLIGHT POWER SUPPLY

## Absolute Maximum Rating

ITEM	SYMBOL	MIN	MAX	UNIT
POWER SUPPLY(LOGIC)	VDD-VSS	0	6.5	V
POWER SUPPLY(LCD DRV.)	VDD-V0	0	18.0	V
INPUT VOLTAGE	VI	VI	VI	V

## Electrical Characteristic

ITEM	SYMBOL	UNIT
VOLTAGE FOR LOGIC	VDD	V
SUPPLY CURRENT	IC	mA
LCD DRIVE VOLTAGE	V0	V
VEE VOLTAGE	VEE	V
LED BACKLIGHT VOLTAGE	V0	V

ALL DIMENSIONS ARE IN MM. TOLERANCE IS +/-0.2 UNLESS OTHERWISE NOTED.



J

X 64 DOTS GRAPHIC LCM EXPERT IN LCD