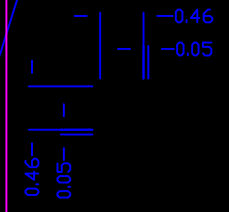
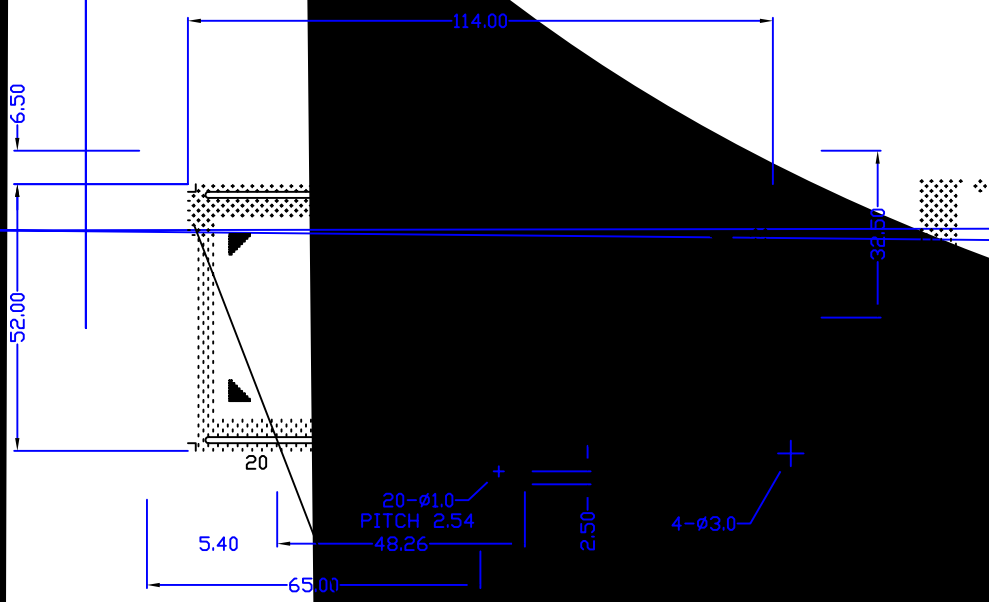
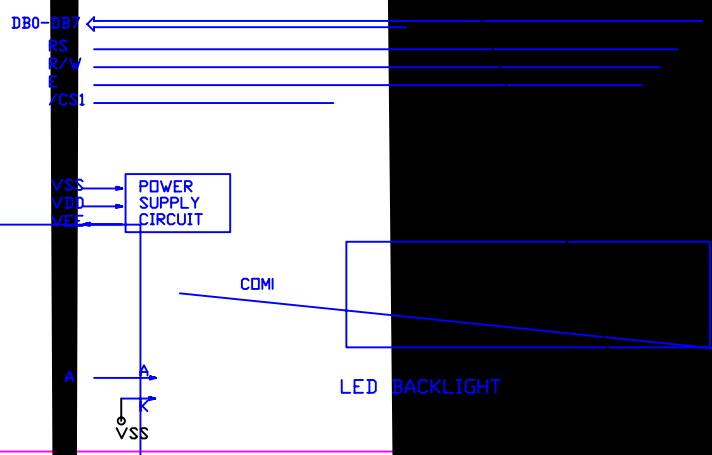


Outline Dimension

REVISIONS			
NO.	DATE	BY	DESCRIPTION
1	08/06/12	ZOLEN	NEW RELEASE



Block Diagram



Pin Assignment

NO.	SYMBOL	DESCRIPTION	LEVEL	UNIT	MIN	TYP	MAX	REMARKS
1	VSS	GROUND	-	V				
2	VDD	POWER SUPPLY FOR LOGIC AND LCD	-	V				
3	V0	OPERATING VOLTAGE	-	V		9.0		
4	DB0-DB7	DATA/INSTRUMENTAL DATA BUS	-	V		8.8		
5	RS	READ/WRITE ENABLE SIGNAL	-	V				
6	R/W	READ/WRITE ENABLE SIGNAL	-	V				
7	CS0	DATA BUS ENABLE SIGNAL	-	V				
8	CS1	DATA BUS ENABLE SIGNAL	-	V				
9	COMI	COMMON SIGNAL	-	V				
10	LED	LED BACKLIGHT	-	V				
11	V0	OPERATING VOLTAGE	-	V				
12	DB0-DB7	DATA/INSTRUMENTAL DATA BUS	-	V				
13	RS	READ/WRITE ENABLE SIGNAL	-	V				
14	R/W	READ/WRITE ENABLE SIGNAL	-	V				
15	CS0	DATA BUS ENABLE SIGNAL	-	V				
16	CS1	DATA BUS ENABLE SIGNAL	-	V				
17	V0	OPERATING VOLTAGE	-	V				
18	DB0-DB7	DATA/INSTRUMENTAL DATA BUS	-	V				
19	RS	READ/WRITE ENABLE SIGNAL	-	V				
20	R/W	READ/WRITE ENABLE SIGNAL	-	V				
21	CS0	DATA BUS ENABLE SIGNAL	-	V				
22	CS1	DATA BUS ENABLE SIGNAL	-	V				
23	COMI	COMMON SIGNAL	-	V				
24	LED	LED BACKLIGHT	-	V				
25	V0	OPERATING VOLTAGE	-	V				
26	DB0-DB7	DATA/INSTRUMENTAL DATA BUS	-	V				
27	RS	READ/WRITE ENABLE SIGNAL	-	V				
28	R/W	READ/WRITE ENABLE SIGNAL	-	V				
29	CS0	DATA BUS ENABLE SIGNAL	-	V				
30	CS1	DATA BUS ENABLE SIGNAL	-	V				
31	COMI	COMMON SIGNAL	-	V				
32	LED	LED BACKLIGHT	-	V				
33	V0	OPERATING VOLTAGE	-	V				
34	DB0-DB7	DATA/INSTRUMENTAL DATA BUS	-	V				
35	RS	READ/WRITE ENABLE SIGNAL	-	V				
36	R/W	READ/WRITE ENABLE SIGNAL	-	V				
37	CS0	DATA BUS ENABLE SIGNAL	-	V				
38	CS1	DATA BUS ENABLE SIGNAL	-	V				
39	COMI	COMMON SIGNAL	-	V				
40	LED	LED BACKLIGHT	-	V				
41	V0	OPERATING VOLTAGE	-	V				
42	DB0-DB7	DATA/INSTRUMENTAL DATA BUS	-	V				
43	RS	READ/WRITE ENABLE SIGNAL	-	V				
44	R/W	READ/WRITE ENABLE SIGNAL	-	V				
45	CS0	DATA BUS ENABLE SIGNAL	-	V				
46	CS1	DATA BUS ENABLE SIGNAL	-	V				
47	COMI	COMMON SIGNAL	-	V				
48	LED	LED BACKLIGHT	-	V				
49	V0	OPERATING VOLTAGE	-	V				
50	DB0-DB7	DATA/INSTRUMENTAL DATA BUS	-	V				
51	RS	READ/WRITE ENABLE SIGNAL	-	V				
52	R/W	READ/WRITE ENABLE SIGNAL	-	V				
53	CS0	DATA BUS ENABLE SIGNAL	-	V				
54	CS1	DATA BUS ENABLE SIGNAL	-	V				
55	COMI	COMMON SIGNAL	-	V				
56	LED	LED BACKLIGHT	-	V				
57	V0	OPERATING VOLTAGE	-	V				
58	DB0-DB7	DATA/INSTRUMENTAL DATA BUS	-	V				
59	RS	READ/WRITE ENABLE SIGNAL	-	V				
60	R/W	READ/WRITE ENABLE SIGNAL	-	V				
61	CS0	DATA BUS ENABLE SIGNAL	-	V				
62	CS1	DATA BUS ENABLE SIGNAL	-	V				
63	COMI	COMMON SIGNAL	-	V				
64	LED	LED BACKLIGHT	-	V				
65	V0	OPERATING VOLTAGE	-	V				
66	DB0-DB7	DATA/INSTRUMENTAL DATA BUS	-	V				
67	RS	READ/WRITE ENABLE SIGNAL	-	V				
68	R/W	READ/WRITE ENABLE SIGNAL	-	V				
69	CS0	DATA BUS ENABLE SIGNAL	-	V				
70	CS1	DATA BUS ENABLE SIGNAL	-	V				
71	COMI	COMMON SIGNAL	-	V				
72	LED	LED BACKLIGHT	-	V				
73	V0	OPERATING VOLTAGE	-	V				
74	DB0-DB7	DATA/INSTRUMENTAL DATA BUS	-	V				
75	RS	READ/WRITE ENABLE SIGNAL	-	V				
76	R/W	READ/WRITE ENABLE SIGNAL	-	V				
77	CS0	DATA BUS ENABLE SIGNAL	-	V				
78	CS1	DATA BUS ENABLE SIGNAL	-	V				
79	COMI	COMMON SIGNAL	-	V				
80	LED	LED BACKLIGHT	-	V				
81	V0	OPERATING VOLTAGE	-	V				
82	DB0-DB7	DATA/INSTRUMENTAL DATA BUS	-	V				
83	RS	READ/WRITE ENABLE SIGNAL	-	V				
84	R/W	READ/WRITE ENABLE SIGNAL	-	V				
85	CS0	DATA BUS ENABLE SIGNAL	-	V				
86	CS1	DATA BUS ENABLE SIGNAL	-	V				
87	COMI	COMMON SIGNAL	-	V				
88	LED	LED BACKLIGHT	-	V				
89	V0	OPERATING VOLTAGE	-	V				
90	DB0-DB7	DATA/INSTRUMENTAL DATA BUS	-	V				
91	RS	READ/WRITE ENABLE SIGNAL	-	V				
92	R/W	READ/WRITE ENABLE SIGNAL	-	V				
93	CS0	DATA BUS ENABLE SIGNAL	-	V				
94	CS1	DATA BUS ENABLE SIGNAL	-	V				
95	COMI	COMMON SIGNAL	-	V				
96	LED	LED BACKLIGHT	-	V				
97	V0	OPERATING VOLTAGE	-	V				
98	DB0-DB7	DATA/INSTRUMENTAL DATA BUS	-	V				
99	RS	READ/WRITE ENABLE SIGNAL	-	V				
100	R/W	READ/WRITE ENABLE SIGNAL	-	V				
101	CS0	DATA BUS ENABLE SIGNAL	-	V				
102	CS1	DATA BUS ENABLE SIGNAL	-	V				
103	COMI	COMMON SIGNAL	-	V				
104	LED	LED BACKLIGHT	-	V				
105	V0	OPERATING VOLTAGE	-	V				
106	DB0-DB7	DATA/INSTRUMENTAL DATA BUS	-	V				
107	RS	READ/WRITE ENABLE SIGNAL	-	V				
108	R/W	READ/WRITE ENABLE SIGNAL	-	V				
109	CS0	DATA BUS ENABLE SIGNAL	-	V				
110	CS1	DATA BUS ENABLE SIGNAL	-	V				
111	COMI	COMMON SIGNAL	-	V				
112	LED	LED BACKLIGHT	-	V				
113	V0	OPERATING VOLTAGE	-	V				
114	DB0-DB7	DATA/INSTRUMENTAL DATA BUS	-	V				
115	RS	READ/WRITE ENABLE SIGNAL	-	V				
116	R/W	READ/WRITE ENABLE SIGNAL	-	V				
117	CS0	DATA BUS ENABLE SIGNAL	-	V				
118	CS1	DATA BUS ENABLE SIGNAL	-	V				
119	COMI	COMMON SIGNAL	-	V				
120	LED	LED BACKLIGHT	-	V				
121	V0	OPERATING VOLTAGE	-	V				
122	DB0-DB7	DATA/INSTRUMENTAL DATA BUS	-	V				
123	RS	READ/WRITE ENABLE SIGNAL	-	V				
124	R/W	READ/WRITE ENABLE SIGNAL	-	V				
125	CS0	DATA BUS ENABLE SIGNAL	-	V				
126	CS1	DATA BUS ENABLE SIGNAL	-	V				
127	COMI	COMMON SIGNAL	-	V				
128	LED	LED BACKLIGHT	-	V				
129	V0	OPERATING VOLTAGE	-	V				
130	DB0-DB7	DATA/INSTRUMENTAL DATA BUS	-	V				
131	RS	READ/WRITE ENABLE SIGNAL	-	V				
132	R/W	READ/WRITE ENABLE SIGNAL	-	V				
133	CS0	DATA BUS ENABLE SIGNAL	-	V				
134	CS1	DATA BUS ENABLE SIGNAL	-	V				
135	COMI	COMMON SIGNAL	-	V				
136	LED	LED BACKLIGHT	-	V				
137	V0	OPERATING VOLTAGE	-	V				
138	DB0-DB7	DATA/INSTRUMENTAL DATA BUS	-	V				
139	RS	READ/WRITE ENABLE SIGNAL	-	V				
140	R/W	READ/WRITE ENABLE SIGNAL	-	V				
141	CS0	DATA BUS ENABLE SIGNAL	-	V				
142	CS1	DATA BUS ENABLE SIGNAL	-	V				
143	COMI	COMMON SIGNAL	-	V				
144	LED	LED BACKLIGHT	-	V				
145	V0	OPERATING VOLTAGE	-	V				
146	DB0-DB7	DATA/INSTRUMENTAL DATA BUS	-	V				
147	RS	READ/WRITE ENABLE SIGNAL	-	V				
148	R/W	READ/WRITE ENABLE SIGNAL	-	V				
149	CS0	DATA BUS ENABLE SIGNAL	-	V				
150	CS1	DATA BUS ENABLE SIGNAL	-	V				
151	COMI	COMMON SIGNAL	-	V				
152	LED	LED BACKLIGHT	-	V				
153	V0	OPERATING VOLTAGE	-	V				
154	DB0-DB7	DATA/INSTRUMENTAL DATA BUS	-	V				
155	RS	READ/WRITE ENABLE SIGNAL	-	V				
156	R/W	READ/WRITE ENABLE SIGNAL	-	V				
157	CS0	DATA BUS ENABLE SIGNAL	-	V				
158	CS1	DATA BUS ENABLE SIGNAL	-	V				
159	COMI	COMMON SIGNAL	-	V				
160	LED	LED BACKLIGHT	-	V				
161	V0	OPERATING VOLTAGE	-	V				
162	DB0-DB7	DATA/INSTRUMENTAL DATA BUS	-	V				
163	RS	READ/WRITE ENABLE SIGNAL	-	V				
164	R/W	READ/WRITE ENABLE SIGNAL	-	V				
165	CS0	DATA BUS ENABLE SIGNAL	-	V				
166	CS1	DATA BUS ENABLE SIGNAL	-	V				
167	COMI	COMMON SIGNAL	-	V				
168	LED	LED BACKLIGHT	-	V				
169	V0	OPERATING VOLTAGE	-	V				
170	DB0-DB7	DATA/INSTRUMENTAL DATA BUS	-	V				
171	RS	READ/WRITE ENABLE SIGNAL	-	V				
172	R/W	READ/WRITE ENABLE SIGNAL	-	V				
173	CS0	DATA BUS ENABLE SIGNAL	-	V				
174	CS1	DATA BUS ENABLE SIGNAL	-	V				
175	COMI	COMMON SIGNAL	-	V				
176	LED	LED BACKLIGHT	-	V				
177	V0	OPERATING VOLTAGE	-	V				
17								