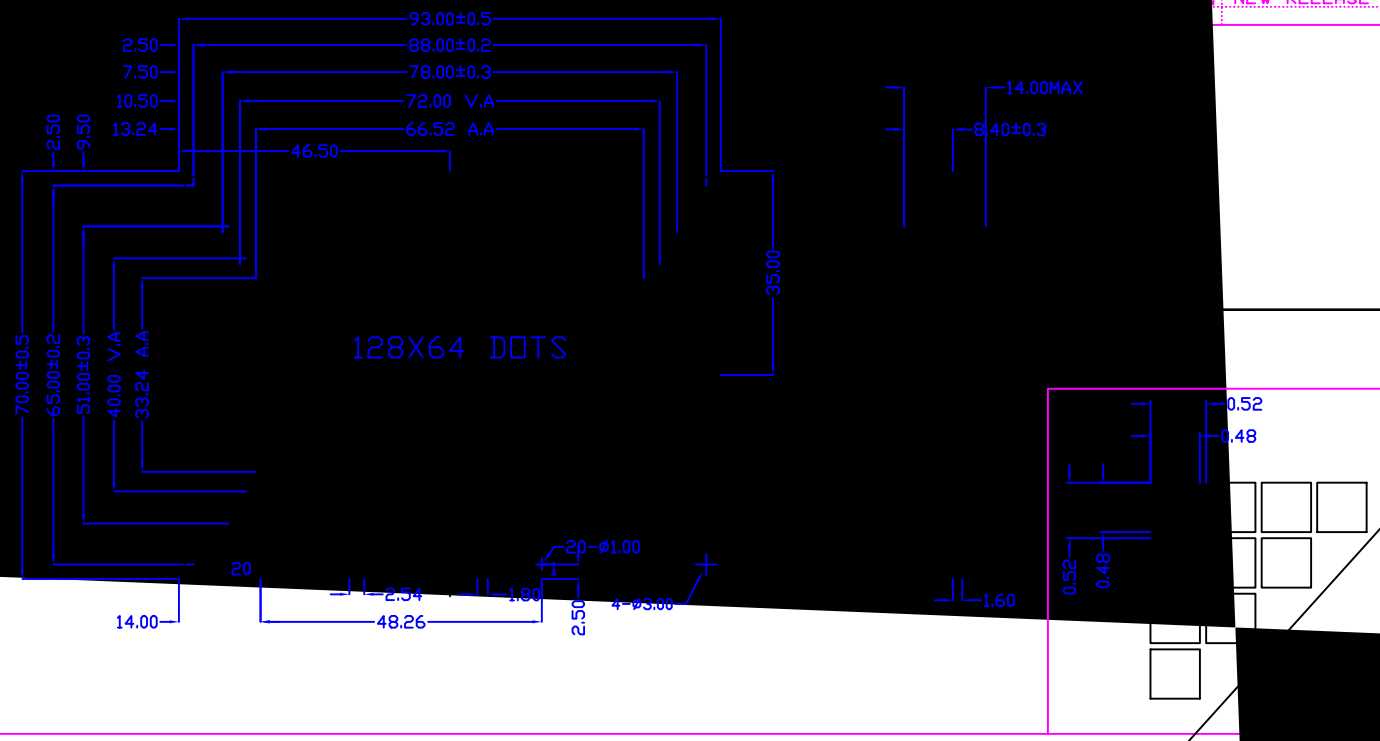
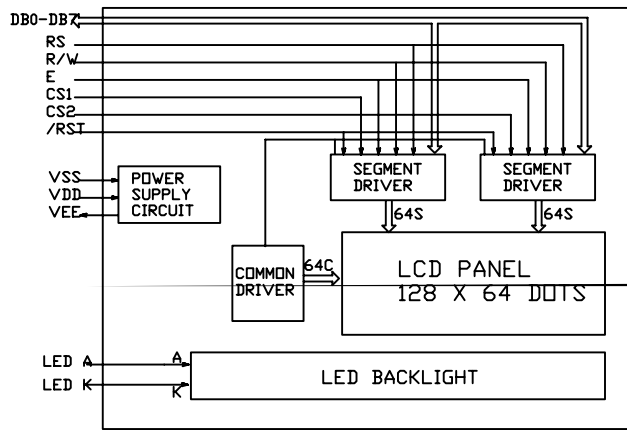


DESCRIPTION  
NEW RELEASE



### Block Diagram



### Feature

1. BUILT IN CONTROLLER: KS0107B
2. POWER SUPPLY: 5.0V AND 3.0V A
3. LCD TYPE: Y/G STN
4. BACKLIGHT: BOTTOM LED BACKLIGHT
5. COLOUR OF BACKLIGHT: Y/G
6. 1/64 DUTY CYCLE, 1/9 BIAS
7. VIEWING ANGLE: 6 O'CLOCK
8. TEMPERATURE RANGE: NORMAL(0--5
9. LOW CONSUMPTION, LOW VOLTAGE, HI

### Mechanical Data

ITEM	SPECIFICATION	UNIT
OVERALL SIZE	93.0W x 70.0H x 1.60T	MM
VIEWING AREA	72.0W x 40.0H	MM
DOT NUMBER	128 x 64	DOTS
DOT SIZE	0.48W	MM
DOT PITCH	0.52	MM

### Pin Assignment

NO.	SYMBOL	DESCRIPTION
1	VSS	GROUND
2	VDD	POWER SUPPLY FOR LOGIC AND LCD
3	VR	OPERATING VOLTAGE FOR LCD
4	D/I	DATA/INSTRUCTION SELECT
5	R/W	READ/WRITE SELECT
6	E	ENABLE SELECT
7--14	DB0--DB7	DATA BUS
15	CS1	CHIP SELECT OF
16	CS2	CHIP SELECT OF
17	/RST	RESET SIGNAL
18	VEE	NEGATIVE
19	A	LED A
20	K	LED K

JXD12864A

