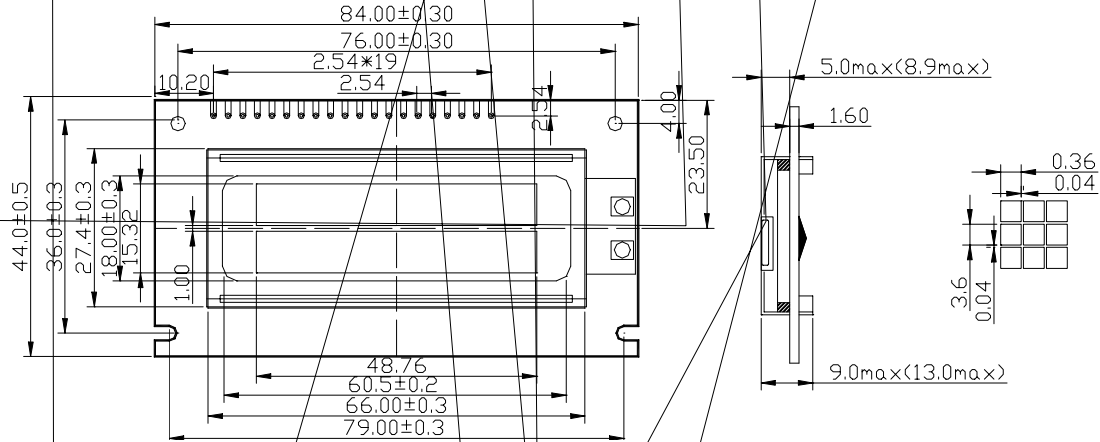


JXD12232B

* 122X32DOTS *1/32Duty 1/6 Bias Green-Blue mode STN Transflective +5V Single Power

EXTERNAL DIMENSIONS AND DISPLAY PATTERN



MECHANICAL DATA (Nominal dimensions)

module size-----84.0Wx44.0Hx13.0D mm
 Effective display area-----60.5Wx18.0H mm
 Dots pitch-----0.40Wx0.40H mm
 Dot size-----0.36Wx0.36H mm
 Weight----- Approx 14 g

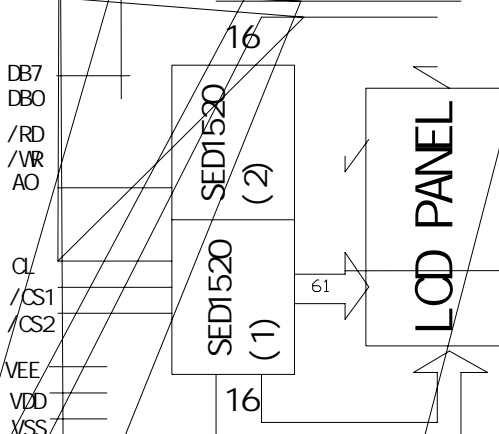
ABSOLUTE MAXIMUM RATINGS min max

Power supply voltage(Vdd-Vss) ----- 0 8.0V
 LCD-drive Voltage(Vdd-V0)----- 0 16.5V
 Input voltage(Vi)----- Vss-0.3 Vdd+0.3 V
 Operating temperature -----(-0 - +50)
 Storage temperature -----(-10 - +60)

ELECTRICAL CHARACTERISTICS min max

Ta=25 , Vdd=5.0V±0.25V
 Input 'high' voltage(ViH)(V) -----Vss+2.0 Vdd
 Input 'low' voltage(ViL)(V) ----- Vss Vss+0.8
 Power supply current(Idd)(uA) ----- 0.6mA
 Drive method -----1/32Duty 1/6bias

BLOCK DIAGRAM



PIN CONNECTION

Pin No.	Symbol	Level	Function
1	VDD	5V	Power supply
2	Vss	0V	Ground
3	V0	—	Power supply for LCD
4	RESET	H/L	L: Reset System
5	/Cs1	H/L	Read/Write enable signal(Chip 1)
6	/Cs2	H/L	Read/Write enable signal(Chip 2)
7	R/W	H/L	Read/Write enable Signal
8	A0	H/L	Select display data or instruction
9	D0	—	Data bus line *
10	D1	—	
11	D2	—	
12	D3	—	
13	D4	—	
14	D5	—	
15	D6	—	
16	D7	—	
17	LED+	DC5V	Power supply for LED+ or EL
18	LED-	DC0V	Power supply for LED- or EL

POWER SUPPLY